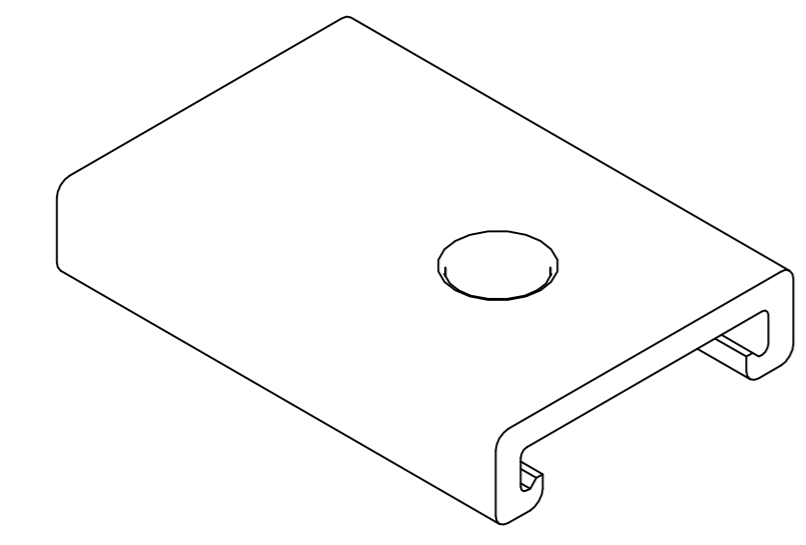
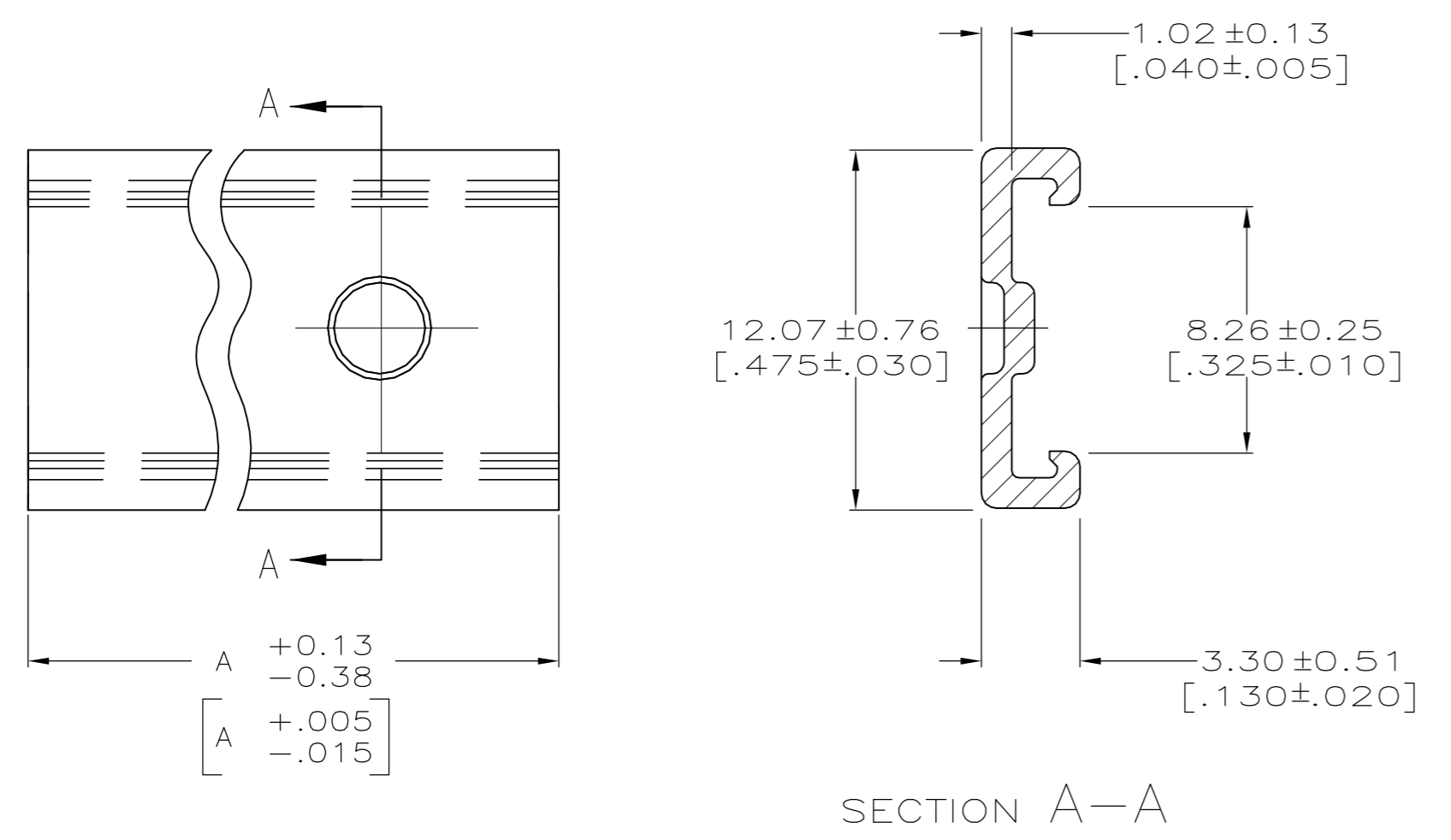


1. DIMENSIONS IN BRACKETS ARE IN INCHES.



3-DIMENSIONAL MODEL  
NTS

|  |              |       |         |            |
|--|--------------|-------|---------|------------|
| 24   | CIRCUIT ASSY | 95.10 | [3.744] | 2-640643-4 |
| 23   | CIRCUIT ASSY | 91.14 | [3.588] | 2-640643-3 |
| 22   | CIRCUIT ASSY | 87.17 | [3.432] | 2-640643-2 |
| 21   | CIRCUIT ASSY | 83.21 | [3.276] | 2-640643-1 |
| 20   | CIRCUIT ASSY | 79.25 | [3.120] | 2-640643-0 |
| 19   | CIRCUIT ASSY | 75.29 | [2.964] | 1-640643-9 |
| 18   | CIRCUIT ASSY | 71.32 | [2.808] | 1-640643-8 |
| 17   | CIRCUIT ASSY | 67.36 | [2.652] | 1-640643-7 |
| 16   | CIRCUIT ASSY | 63.40 | [2.496] | 1-640643-6 |
| 15   | CIRCUIT ASSY | 59.44 | [2.340] | 1-640643-5 |
| 14   | CIRCUIT ASSY | 55.47 | [2.184] | 1-640643-4 |
| 13   | CIRCUIT ASSY | 51.51 | [2.028] | 1-640643-3 |
| 12   | CIRCUIT ASSY | 47.55 | [1.872] | 1-640643-2 |
| 11   | CIRCUIT ASSY | 43.59 | [1.716] | 1-640643-1 |
| 10   | CIRCUIT ASSY | 39.62 | [1.560] | 1-640643-0 |
| 9  | CIRCUIT ASSY | 35.66 | [1.404] | 640643-9   |
| 8  | CIRCUIT ASSY | 31.70 | [1.248] | 640643-8   |
| 7  | CIRCUIT ASSY | 27.74 | [1.092] | 640643-7   |
| 6  | CIRCUIT ASSY | 23.77 | [0.936] | 640643-6   |
| 5  | CIRCUIT ASSY | 19.81 | [0.780] | 640643-5   |
| 4  | CIRCUIT ASSY | 15.85 | [0.624] | 640643-4   |
| 3  | CIRCUIT ASSY | 11.89 | [0.468] | 640643-3   |
| 2  | CIRCUIT ASSY | 7.92  | [0.312] | 640643-2   |
| USED ON MTA 156 CONNECTOR ASSEMBLY AS LISTED |              | A     |         | PART NO    |

**METRIC**

|   |  |                     |           |                          |                     |
|---|--|---------------------|-----------|--------------------------|---------------------|
| THIS DRAWING IS A CONTROLLED DOCUMENT.  |  | DWN                 | T. BECK   | 4-9-91                   | <br>TE Connectivity |
| DIMENSIONS: MM[INCHES]  |  | CHK                 | R. SWING  | 4-9-91                   |                     |
| TOLERANCES UNLESS OTHERWISE SPECIFIED:  |  | APVD                | G. MILLER | 4-10-91                  |                     |
| 0 PLC ± -<br>1 PLC ± -<br>2 PLC ± -<br>3 PLC ± -<br>4 PLC ± -<br>ANGLES ± ± - |  | NAME                |           | COVER, FEEDTHRU, MTA-156 |                     |
| MATERIAL: POLYESTER, UL 94V-0 NATURAL   |  | FINISH: -           |           | WEIGHT: -                | RESTRICTED TO       |
|   |  | APPLICATION SPEC: - |           | SIZE: A2                 | CAGE CODE: 00779    |
|   |  | CUSTOMER DRAWING    |           | DRAWING NO: 640643       | SCALE: 5:1          |
|   |  |                     |           | SHEET: 1 OF 1            | REV: R1             |